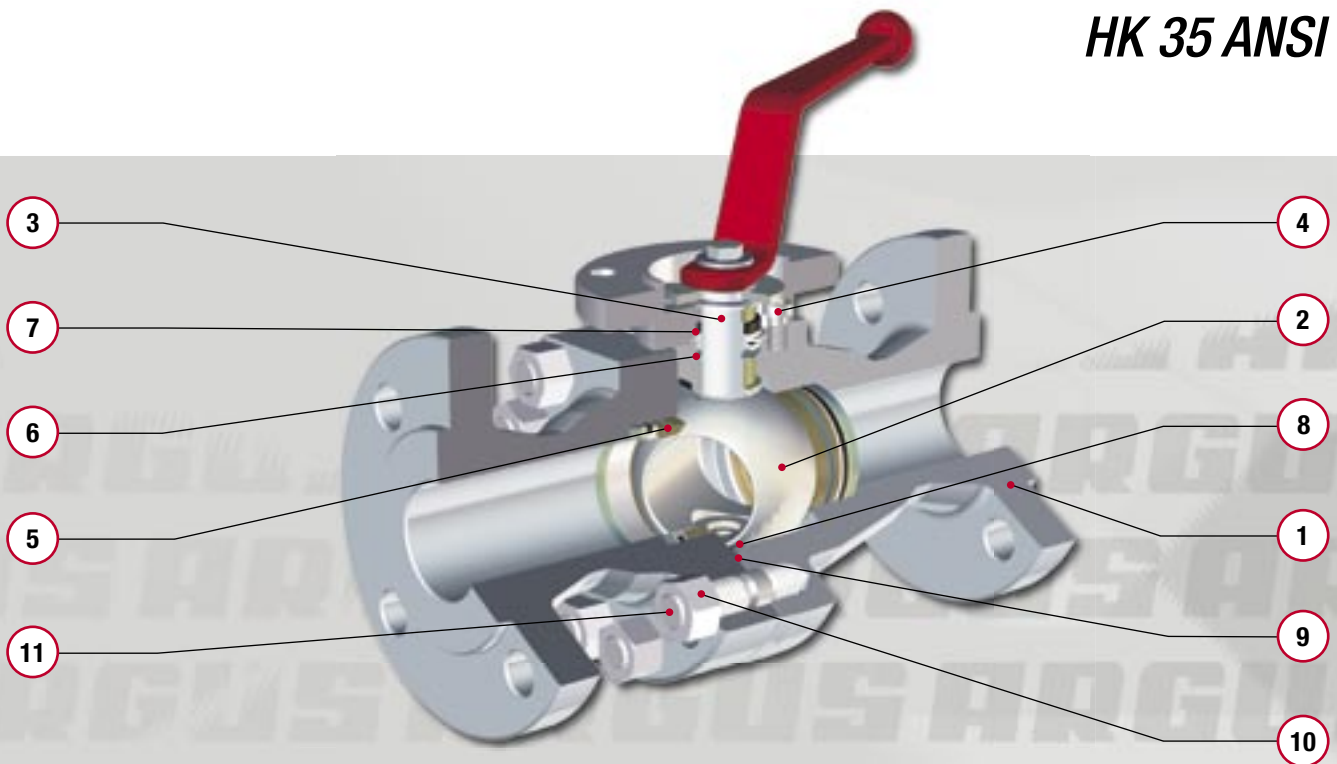


ARGUS

HK 35 ANSI



Material List of Main Parts

Item	Description	Material Specification *	Nearest Typical ASTM-Equivalent
1	Body / Flange	1.0566 (TstE355N) 1.0460 (C22G2) SS 1.4571	A350 LF2 A 105 A182 F316Ti
2	Ball	SS Duplex SS Duplex hardfaced	A182 F51 A182 F51 hardfaced
3	Stem	1.4462 (Duplex)	A182 F51
4	Gland Bolts	8.8 A4-70'	
5	Ball Seats	POM' SS Duplex hardfaced	
6	Primary Stem Seal	FPM	
7	Secondary Stem Seal	Celastic	
8	Body Seal	FPM	
9	Secondary Body Seal	Celastic	
10	Bolts	A193 B7 (ASTM) A4-70	
11	Nuts	A194-Gr.4 (ASTM) A4-70	

* For detailed information see our ANSI catalogue



ARGUS HK 35

**DN 50 ANSI Cl. 600-1500 Full Bore
DN 80 ANSI Cl. 600-1500 Reduced Bore**

Description:

The HK 35 ball valve with its many innovative design features represents the highest standards in valve technology and is designed to meet the API-6D, ANSI 16.34 and BS 5351 requirements.

Long lifetime and low operating torques due to the clear separation of the sealing and bearing functions, on both ball and stem.

Design:

Split body design with superfine finished trunnion mounted ball, anti-blowout stem, spring loaded ball seats, cavity relief and anti-static device. Long life double stem seal system and stem supported in bearings to ensure seals are free from operating loads. Stem sealing construction complies with the latest TA-Luft and EPA (method 21) fugitive emissions requirements.

Firesafe to BS 6755 and API 607.

DIN/ISO 5211 mounting plate for easy assembly with actuators included.

Accessories and Options:

- Limit switches
- Locking devices
- Extended wrenches
- Stem extensions
- Metal to metal seats and/or extended bonnets with stuffing box for high/low temperatures and abrasive medium and high cycle applications
- Drain and vent/bleed connections

Standard Material Combinations (preferably to order – short delivery time):

ANSI	Cl. 600 -1500 Mat.-Code 1D07D4D442	Cl. 600 -1500 Mat.-Code 4D07D4D442	Cl. 600 -1500 Mat.-Code 1ADAD4D442	Cl. 600 -1500 Mat.-Code 4ADAD4D442
Body	CS-Low Temp.	SS	CS-Low Temp.	SS
Ball/Stem	SS	SS	SS	SS
Ball Seats	POM/ SS	POM/ SS	SS	SS
Stem Seals	FPM/Celastc	FPM/Celastc	FPM/Celastc	FPM/Celastc
Body Seals	FPM/Celastc	FPM/Celastc	FPM/Celastc	FPM/Celastc
Seat Springs	SS	SS	SS	SS

Flowserve Flow Control

Rudolf-Plank-Str.2, D-76275 Ettlingen

T: +49 (0)72 43/103-0 F: +49 (0)72 43/103-222

E-mail: argus@flowserve.com

www.flowserve.com

FCDARGBR 1111-02
Printed in Germany