



Automax

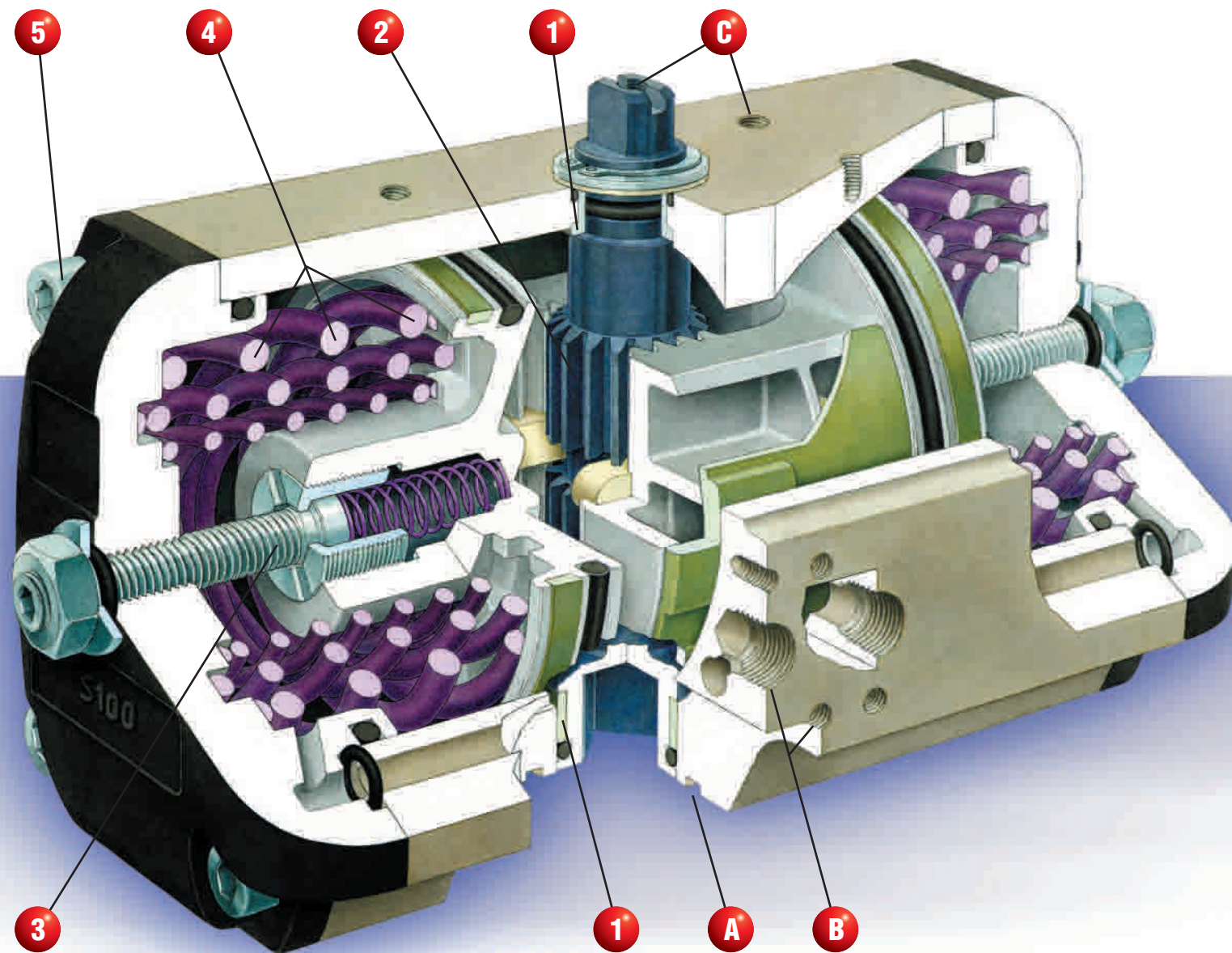
SuperNova Series
Pneumatic Rack & Pinion Actuators

The **S Series** SuperNova pneumatic actuator is the latest development of the previous version, which won worldwide praise for its **reliability, versatility and safety**.

Rugged yet compact construction combined with new technical solutions make this product extremely reliable in the severest of operating conditions. Furthermore, an entire range of accessories manufactured by Automax enable users to rely on a single partner for all their valve automation system components.

- 1** Replaceable top and bottom pinion bearings designed to withstand the toughest working conditions. The materials used ensure optimum operating conditions between the pinion and body.
- 2** Steel pinion with a special gaseous nitride surface treatment affording higher resistance to corrosion than traditional coating methods.
- 3** Independent mechanical adjustable travel-stops to allow regulation of open and closed position. Continuous 0-90° regulation available on request.
- 4** Concentric springs; a solution of proven reliability we have used for over 10 years, eliminating the need to hold spares.
- 5** Stainless steel fastenings throughout, for long-term corrosion resistance.

Spring Return Version



MAIN FEATURES

- Aluminium alloy body internally and externally hard anodized to MIL standards.
- End caps oven-treated with ultra-thick polyurethane paint.
- Reversible action and modification of spring set without any special equipment while on site.
- Piston guide bearings with wide contact surfaces, increase efficiency and cycle life.
- Independent open and closed adjustment (standard across the whole range illustrated) is indispensable where different valve sealing systems are involved.
- Standard working temperatures: from -30°C to +80°C.
- The special construction design also allows for operation with non-lubricated air.
- Valve and accessory connections according to the latest international standards:

- A** ISO 5211 or DIN 3337 for valve connection;
- B** NAMUR for solenoid valve connection;
- C** NAMUR for limit switch, positioner and other accessories.

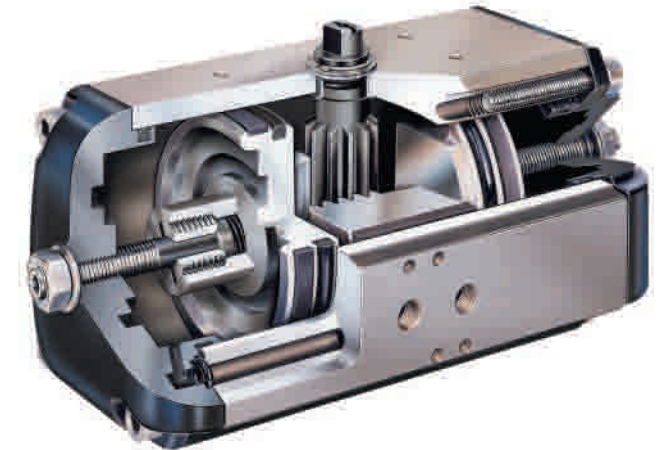
Spring Configurations

MODEL 50 SPRING CHART				
Spring Set	Spring Combination			Standard Configurations (air supply)
	# 1 Spring (inner)	# 2 Spring (low rate outer)	# 3 Spring (high rate outer)	
04	1	1		
05		2		3 Bar
06	2	1		4 Bar
07	1	2		5 Bar
08	2	2		5.5 Bar
09	2		2	

Spring markings: #1 Spring = 1 colour code dot
#2 Spring = 2 colour code dots
#3 Spring = 3 colour code dots

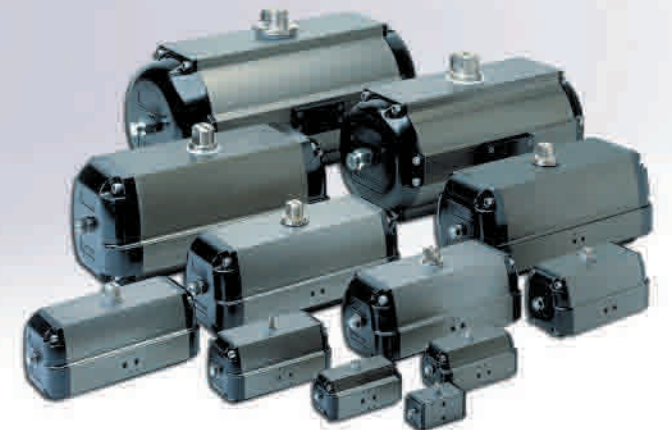
MODEL 63-200 SPRING CHART				
Spring Set	Spring Combination			Standard Configurations (air supply)
	# 1 Spring (inner)	# 2 Spring (low rate outer)	# 3 Spring (high rate outer)	
04		2		
05		1	1	3 Bar
06			2	
07	1		2	4 Bar
08	2		2	5 Bar
09	1	1	2	
10		2	2	5.5 Bar
11	1	2	2	
12	2	2	2	

Double Acting Version



The product range includes the following options:

- Working temperatures from -50°C to +150°C
- Stainless steel pinion
- Body with dual mounting ISO connections
- Star-shaped pinion drive
- Rotation up to 250° (technical and dimension data available on request)
- Pinion anti ejection device



Torque Outputs (Nm) - Spring Return Actuator (50 - 200)

Model / Bore	Springs			Air Supply Pressure (Bar)													
	Spring Set	Spring Torque		2.5		3		4		5		5.5		6		7	
		Start	End	Start	End	Start	End	Start	End	Start	End	Start	End	Start	End	Start	End
S050S __	04	5	3	4	2	6	4										
	05	6	4			5	3	8	6								
	06	7	5					7	5	10	8						
	07	8	6					6	4	9	7	11	8				
	08	10	7							8	4	10	6	11	7		
S063S __	09	12	8									8	4	10	5	13	8
	05	10	6	8	4	11	7										
	06	12	8			9	5	15	11								
	07	13	9			8	3	14	9	19	15						
	08	15	10					12	7	18	13	21	16				
S085S __	10	19	13							15	9	18	12	21	14		
	12	23	15											19	11	24	16
	05	20	13	16	9	22	15										
	06	24	16			19	11	31	23								
	07	28	19			16	7	28	19	40	31						
S100S __	08	32	21					26	14	38	26	44	32				
	10	40	27							32	18	38	24	44	30		
	12	48	32											38	22	50	34
	05	37	25	29	17	40	28										
	06	44	29			35	20	57	42								
S115S __	07	51	34			30	12	52	34	74	56						
	08	59	39					47	27	69	49	80	60				
	10	74	49							59	33	70	44	81	55		
	12	88	59											71	40	93	62
	05	61	40	49	28	67	46										
S125S __	06	73	49			59	33	96	70								
	07	85	57			50	21	87	57	124	94						
	08	97	65					79	49	115	81	134	100				
	10	121	81							98	56	117	74	135	93		
	12	146	97											118	66	154	103
S150S __	05	86	57	70	40	96	66										
	06	103	69			84	48	136	100								
	07	120	80			72	30	124	82	176	134						
	08	138	92					112	63	164	115	190	141				
	10	172	115							139	80	165	106	191	132		
S175S __	12	207	138											167	95	219	147
	05	155	103	126	71	173	118										
	06	186	124			151	86	244	179								
	07	217	145			129	53	222	147	316	240						
	08	248	165					201	114	295	208	342	254				
S200S __	10	310	207							251	143	297	189	344	236		
	12	372	248											301	171	395	265
	05	235	152	189	102	259	172										
	06	285	181			228	119	368	259								
	07	328	214			194	74	333	214	473	353						
S200S __	08	378	243					303	161	442	301	512	370				
	10	471	305							377	203	447	273	517	342		
	12	563	367											452	246	591	385
	05	331	200	269	152	368	252										
	06	397	264			322	183	522	382								
S200S __	07	464	309			275	112	475	312	675	512						
	08	529	353					429	244	628	444	728	543				
	10	662	441							536	304	636	404	736	504		
	12	794	529											643	365	843	565

NOTES:

 __ = Spring Set Number = Spring / Air Torque Balanced

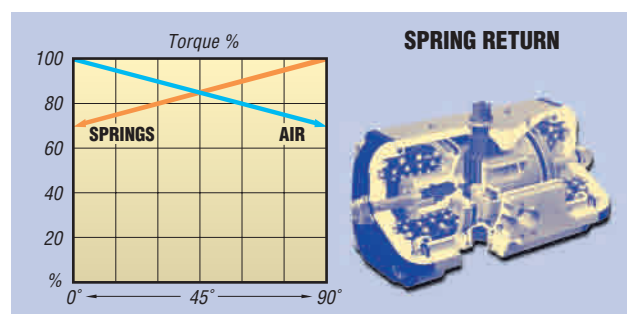
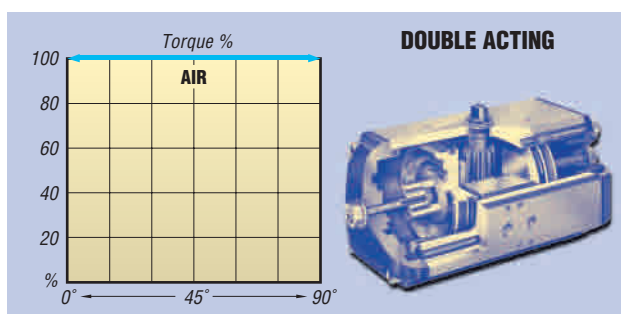
Torque Outputs (Nm) - Spring Return Actuator (250 - 300)

Model / Bore	Springs			Air Supply Pressure (Bar)													
	Spring Qty.	Spring Start	Spring End	2.5		3		4		5		5.5		6		7	
SN250SR	05	620	268	753	384												
	06	744	322	697	254	904	461										
	07	868	383			840	331	1254	745								
	08	991	445					1189	615								
	09	1115	510					1121	485								
	10	1239	576							1465	769						
	11	1363	645							1393	638	1600	845				
SN250SR	12	1487	716						1319	508	1526	715	1733	922	2147	1336	
	05	1043	446	1062	435	1368	741										
	06	1252	535			1274	522										
	07	1460	636					1780	914								
	08	1669	740					1671	695								
	09	1878	848							2170	1088						
	10	2086	958							2055	869	2361	1175				
SN250SR	11	2295	1072								2241	956	2547	1262			
	12	2504	1189										2423	1043	3035	1655	

Torque Outputs (Nm) - Double Acting Actuator

Model / Bore	Air Supply Pressure (Bar)							
	2.5	3	4	5	5.5	6	7	8
S050D	8	9	13	16	17	19	22	25
S063D	15	18	24	29	32	35	41	47
S085D	31	37	49	61	67	73	86	98
S100D	56	68	90	113	124	135	158	180
S115D	94	112	150	187	206	225	262	300
S125D	133	160	213	266	292	319	372	425
S150D	239	287	383	478	526	574	670	765
S175D	375	428	570	713	784	856	998	1141
S200D	511	613	817	1021	1123	1225	1430	1634
SN250DA	1058	1270	1693	2116	2328	2539	2962	3386
SN300DA	1564	1877	2502	3128	3441	3754	4379	5005

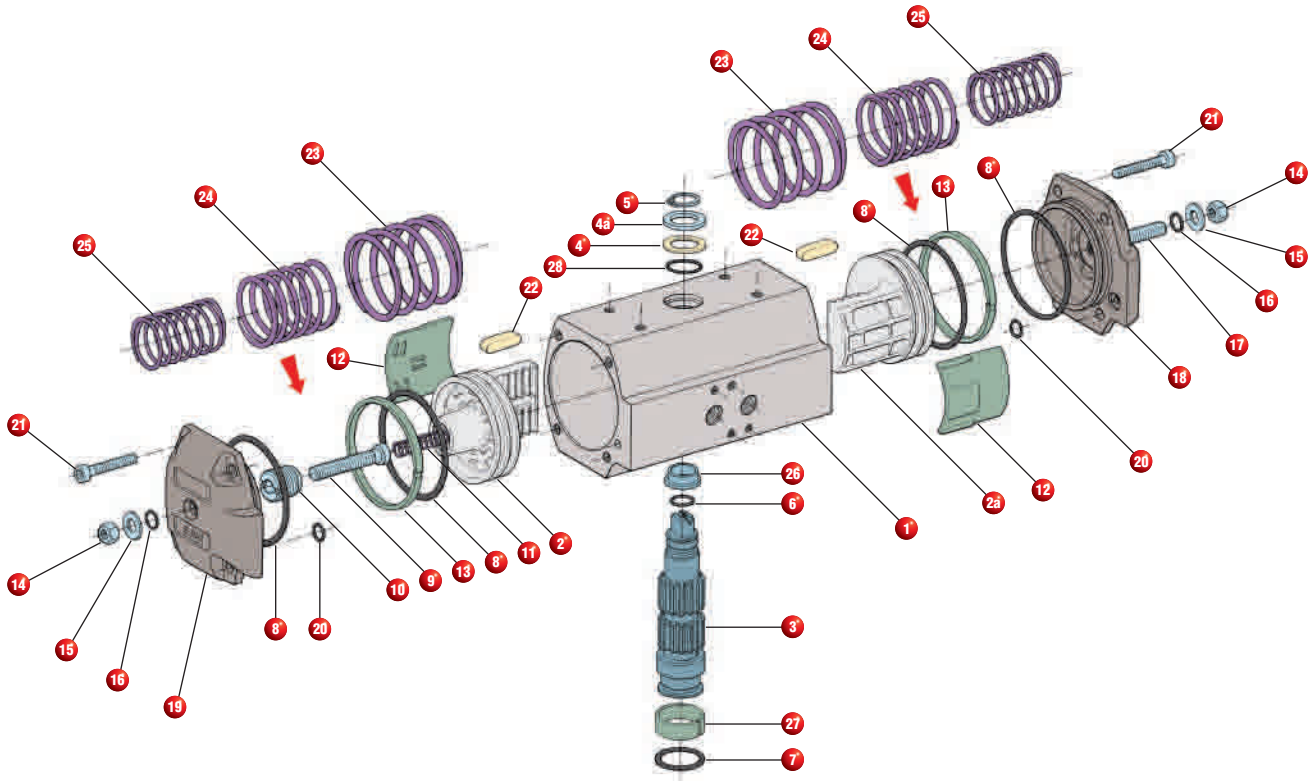
The diagrams below show typical torque curves for rack & pinion actuators.



As seen in the graph, the **double acting actuator** has constant torque over the whole travel, so that all that needs to be known for sizing is the maximum static torque required by the valve, which is multiplied by a safety coefficient (usually between 25% and 50% depending on the type of valve). The value thus obtained is then compared with the figures in the minimum air pressure column in the torque table. Having found the same or nearest value (in excess), the suitable model can be read off the column to the left.

The **spring return** actuator, on the other hand, has four torques: *spring break*, *pneumatic break* (usually the same) *pneumatic end* and *spring end* (usually the same). Choice of actuator here depends on various factors (valve type, normally open or closed) and the method is usually the same as that of double acting models, except that the value must be compared with the lower of *spring* and *pneumatic end*. The value of the springs can in any case be modified to adapt the actuator's torque to the value required by the valve.

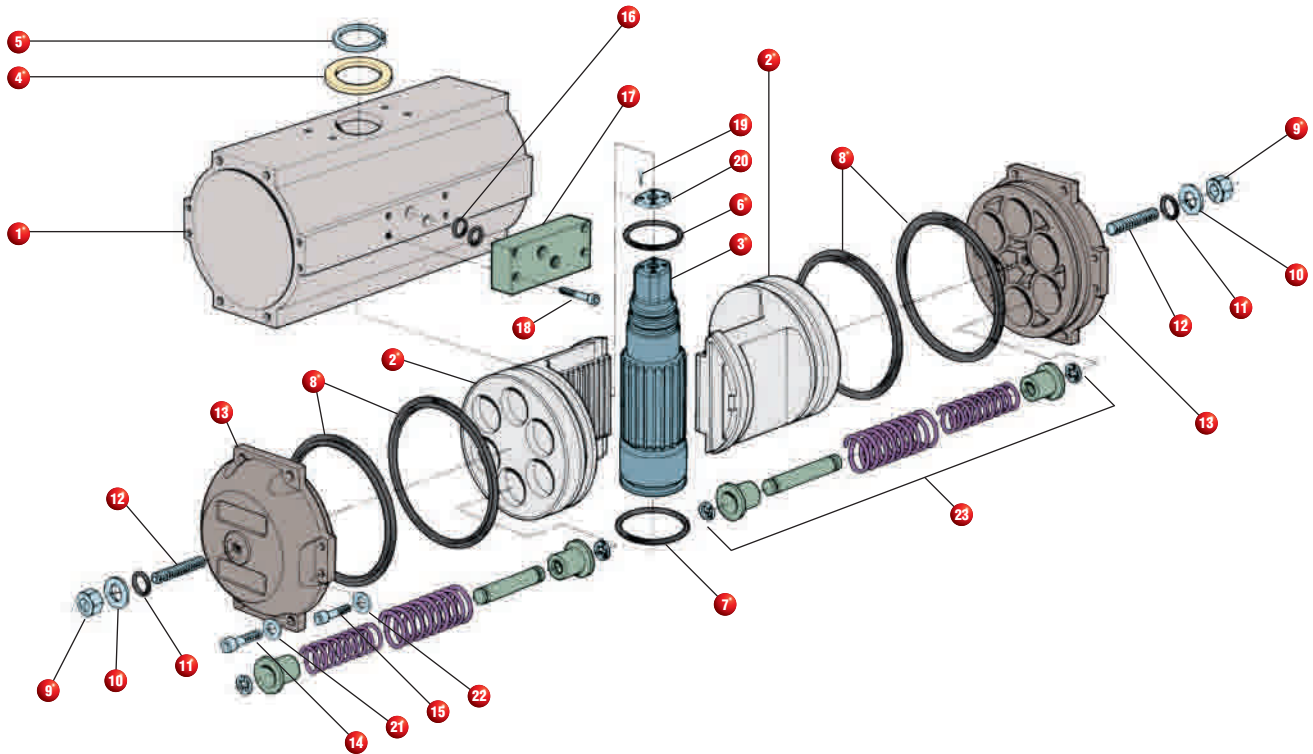
Parts & Materials List 50 - 200



Item	Description	Standard Materials	Quantity	
			D.A.	S.R.
1	Body	Hard Anodised Aluminium	1	1
2	Left Piston	Die Cast Aluminium	1	1
2a	Right Piston	Die Cast Aluminium	1	1
3	Pinion	Nitride Coated Steel	1	1
4 *	Pinion Washer	Nylon	1	1
4a *	Steel Pinion Washer	Stainless Steel	1	1
5 *	Pinion Snap Ring	Steel / Plated	1	1
6 *	Upper Pinion O-Ring	Nitrile Rubber	1	1
7 *	Lower Pinion O-Ring	Nitrile Rubber	1	1
8 *	Piston & End Cap O-Ring	Nitrile Rubber	4	4
9	Inward Travel Stop Bolt	Stainless Steel	1	1
10	Inward Travel Retaining Nut	Stainless Steel	1	1
11	Inward Travel Spring	Stainless / Plated	1	1
12 *	Piston Guide	Nylon & Molybdenum Disulfide	2	2
13 *	Piston Guide Band	Nylon & Molybdenum Disulfide	2	2
14	Stop Bolt Retaining Nut	Stainless Steel	2	2
15	Stop Bolt Washer	Stainless Steel	2	2
16 *	Stop Bolt O-Ring	Nitrile Rubber	2	2
17	Stop Bolt	Stainless Steel	1	1
18	Right End Cap	Die Cast Aluminium / Electrostatic Poly	1	1
19	Left End Cap	Die Cast Aluminium / Electrostatic Poly	1	1
20 *	End Cap Supply O-Ring	Nitrile Rubber	2	2
21	End Cap Screw	Stainless Steel	8	8
22	Anti-Ejection Device (Optional)	Nylon	2	2
23	Outer Spring	Spring Steel Coated	-	2 max.
24	Middle Spring	Spring Steel Coated	-	2 max.
25	Inner Spring	Spring Steel Coated	-	2 max.
26 *	Top Pinion Bearing	Hard Anodised Aluminium	1	1
27 *	Bottom Pinion Bearing	PEEK	1	1
28 *	Top Bearing O-Ring	Nitrile Rubber	1	1

* Parts Included in Seal Repair Kit

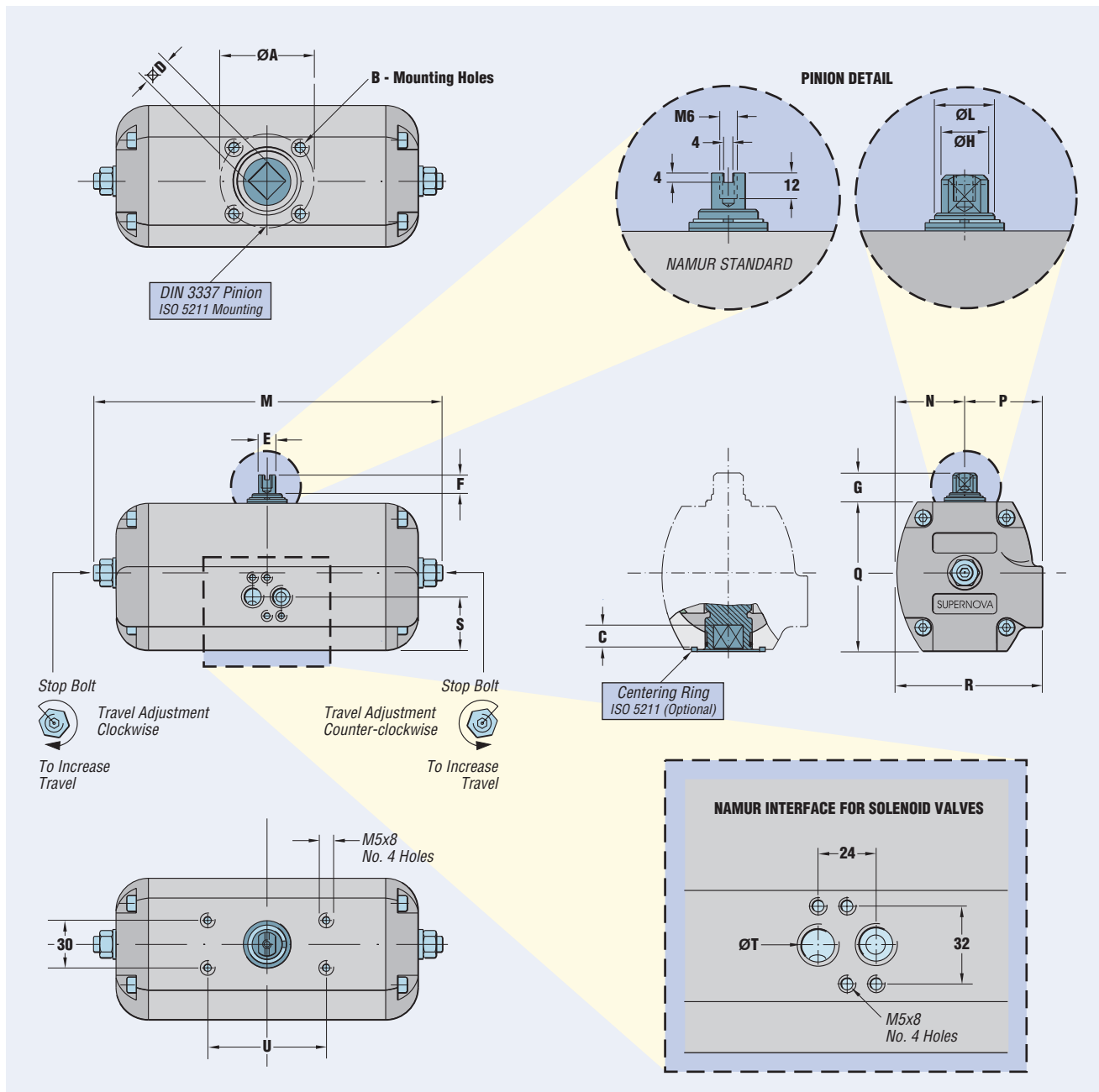
Parts & Materials List 250 - 300



Item	Description	Standard Materials	Quantity	
			D.A.	S.R.
1	Body	Hard Anodised Aluminium	1	1
2	Piston	Aluminium w / PTFE insert	2	2
3	Pinion	Nickel Plated Steel	1	1
4 *	Pinion Washer	Nylon	1	1
5 *	Pinion Snap Ring	Steel / Plated	1	1
6 *	Upper Pinion O-Ring	Nitrile Rubber	1	1
7 *	Lower Pinion O-Ring	Nitrile Rubber	1	1
8 *	Piston & End Cap O-Ring	Nitrile Rubber	4	4
9	Stop Bolt Retaining Nut	Stainless Steel	2	2
10 *	Stop Bolt Washer	Stainless Steel	2	2
11	Stop Bolt O-Ring	Nitrile Rubber	2	2
12	Stop Bolt	Steel / Plated	1	1
13	End Cap	Aluminium / Electrostatic Poly	2	2
14	End Cap Screw	Stainless Steel	8	8
15	End Cap Screw	Stainless Steel	8	8
16 *	Base O-Ring	Nitrile Rubber	2	2
17	Supply Base	Aluminium / Adodised	1	1
18	Supply Base Screw	Stainless Steel	4	4
19	Adaptor Plate Screw	Stainless Steel	4	4
20	Adaptor Plate	Aluminium Adodised	1	1
21	Washer	Stainless Steel	8	8
22	Washer	Stainless Steel	8	8
23	Spring Cartridge	Steel / Plated	0	12 max.

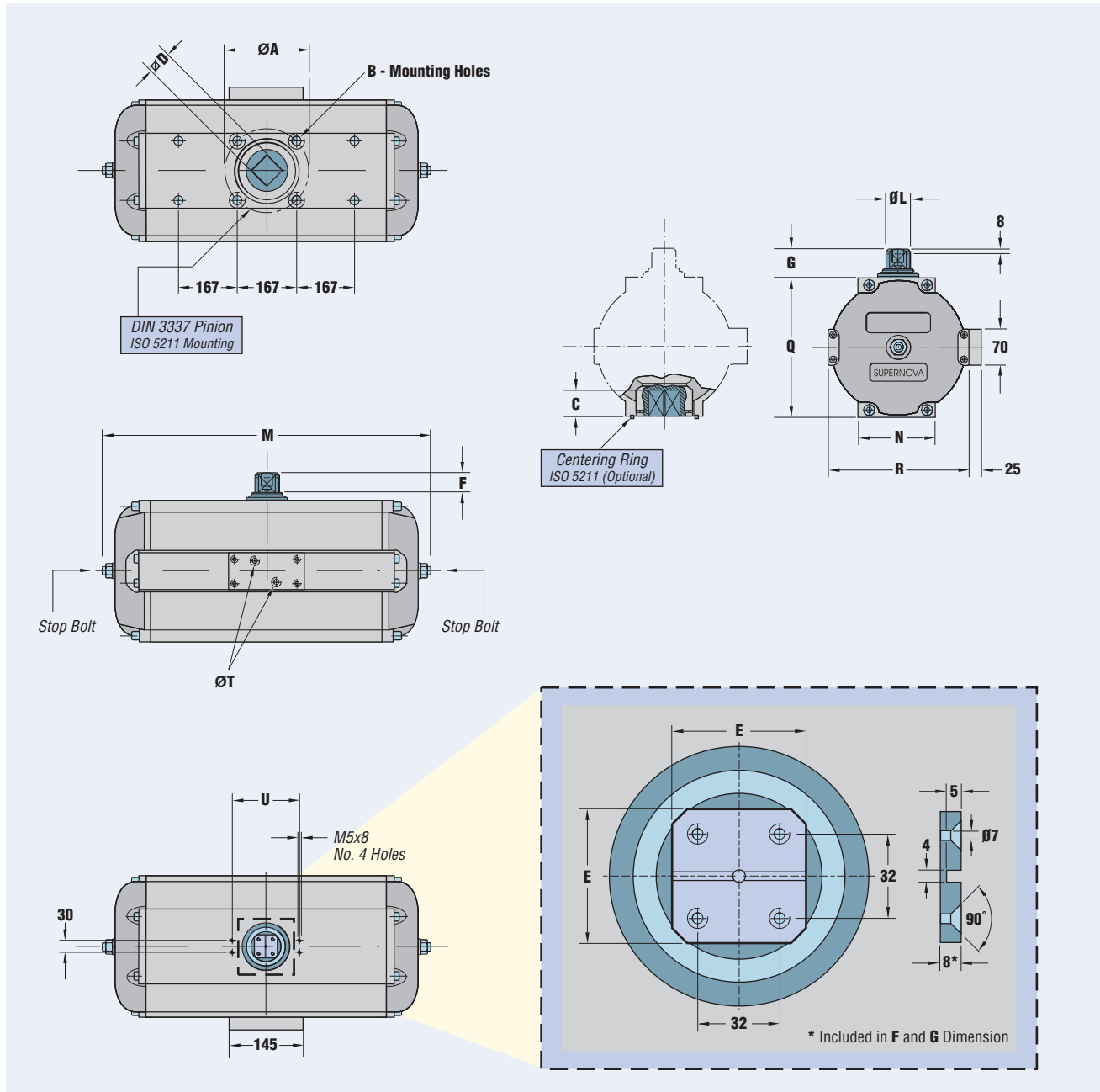
* Parts Included in Seal Repair Kit

Dimensions 50 - 200 (mm)



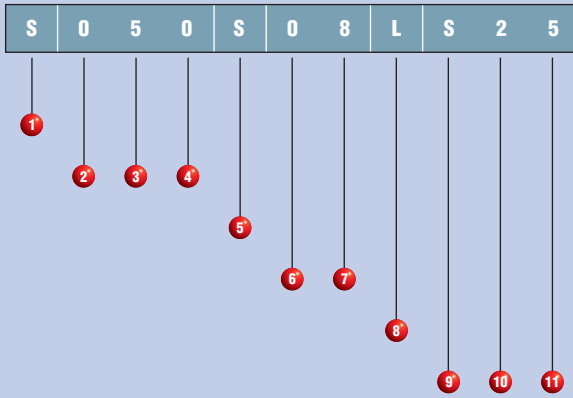
Model	ISO 5211 Mounting		Centering (optional)	Mounting								Overall Dimensions								Weight (Kg)		Volume (cm ³)	
	ISO	ØA		B	C	∅D	E	F	G	ØH	ØL	M	N	P	Q	R	S	T	U	D	S	CW	CCW
050	F04	42	M5x8.5	30 x 2	12	11	10	10	20	11.9	12	170	29	40	65	69	25.5	G1/8"	80	1.2	1.4	134	88
063	F05	50	M6x10	35 x 3	16	14	10	10	20	11.9	14	202	35.5	45	81	80.5	32	G1/8"	80	1.7	2	260	163
085	F07	70	M8x13	55 x 3	20	17	14	14	20	17.5	18	250	47.5	57	105.5	104.5	40.5	G1/8"	80	3.4	4.2	550	327
100	F07	70	M8x13	55 x 3	20	17	14	14	20	19.5	25	296	55	63	122	118	44	G1/4"	80	5.2	6.6	910	622
115	F10	102	M10x16	70 x 3	25	22	20	20	30	28	32	342	62.5	74	134.5	136.5	46.5	G1/4"	130	8	10.2	1530	1060
125	F10	102	M10x16	70 x 3	25	22	20	20	30	28	40	402	68	78	147	146	51	G1/4"	130	11.5	13.7	2090	1470
150	F12	125	M12x19	85 x 3	29	27	36	22.5	30	47.5	48	486	81	88	174	169	60	G1/4"	130	19.5	23.2	3660	2600
175	F14	140	M16x25	100 x 4	40	36	36	22.5	30	47.5	52	542	95	106	208.5	201	68.5	G1/4"	130	31.9	35	5740	3800
200	F14	140	M16x25	100 x 4	40	36	36	22.5	30	47.5	60	620	108	120	238.5	228	78.5	G1/4"	130	41.5	53	8300	5430

Dimensions 250 - 300 (mm)



Model	ISO 5211 Mounting		Centering (optional)	Mounting							Overall Dimensions							Weight (Kg)		Volume (cm ³)			
	ISO	ØA		B	C	∅D	E	F	G	ØH	ØL	M	N	P	Q	R	S	T	U	D	S	CW	CCW
SN250	F16	165	M20x18	130 x 4	50	46	50	33	50	-	75	654	150	-	280	280	-	61/2"	130	62	76.5	12400	11800
SN300	F16	165	M20x18	130 x 4	50	46	50	33	50	-	80	788	160	-	340	340	-	61/2"	130	99	131	23000	16700

Automax Actuator Coding



1	AUTOMAX ACTUATOR CODING
S	European SuperNova 050-200
SN	European SuperNova 250-300

2	3	4	SIZE
050, 063, 085, 115, 125, 150, 175, 200, 250, 300			

5	ACTION
C	Spring Return FCCW (Fail Counterclockwise)
D	Double Acting
E	Double Acting, 140° Rotation, Adjustment 120° (Special Body, Double Stroke Adjustment)
F	Double Acting, 140° Rotation, Adjustment 135° (Special Body, Double Stroke Adjustment)
M	Double Acting, 180° Rotation
S	Spring Return FCW (Standard Fail Clockwise)
T	Double Acting, 120° Rotation
W	Double Acting Reverse Action (Counterclockwise Rotation)

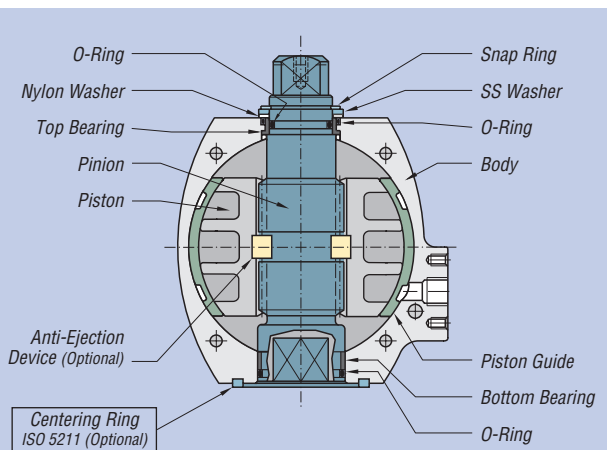
6	7	SPRING CONFIGURATION
04, 05, 06, 07, 08, 09, 10, 11, 12		

8	TEMPERATURE
Blank	Standard Temperature, Nitrile 'O' Rings
L	Low Temperature, Fluorosilicon O' Rings
H	High Temperature, Viton O' Rings

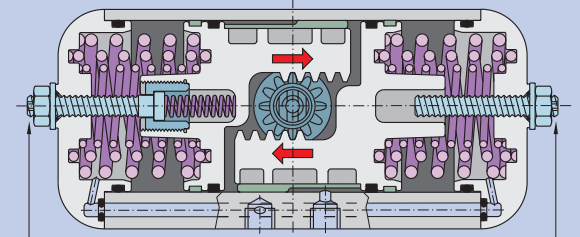
9	10	11	SPECIAL VERSIONS
Blank			No Special Variation
A			ISO 5211 Center Ring Fitted
B			Blank End Caps (Not used from Jan 2004 as blank will be standard)
C			Corrosive Environment, Stainless Steel Pinion and Snap Ring
E			Epoxy Coated
R			0 to 100% Stroke Adjustment
S			Special Please Consult Office
V			Special Coating

Operating Conditions

Pressure Limitation	10 bar maximum
Media	Air or non-corrosive fluid. The media should have a dew point at least 10°C below the ambient operating temperature.
Temperature Range	Standard -30°C to +80°C Low temperature variant -50°C to +80°C High temperature variant -30°C to +150°C
Rotation (viewed from top)	Pinion rotates anti-clockwise when the centre chamber supply port (RHS) is pressurised. Reverse acting options available.
Travel (all sizes)	Average 100° total travel to provide nominal 5° over travel clockwise and anti clockwise.
Extended Travel	180, 120°. For further options consult your local Flowserve sales operation.
Adjustable Travel Stop	Standard on all 90° version.



TRAVEL ADJUSTMENTS
TOP VIEW

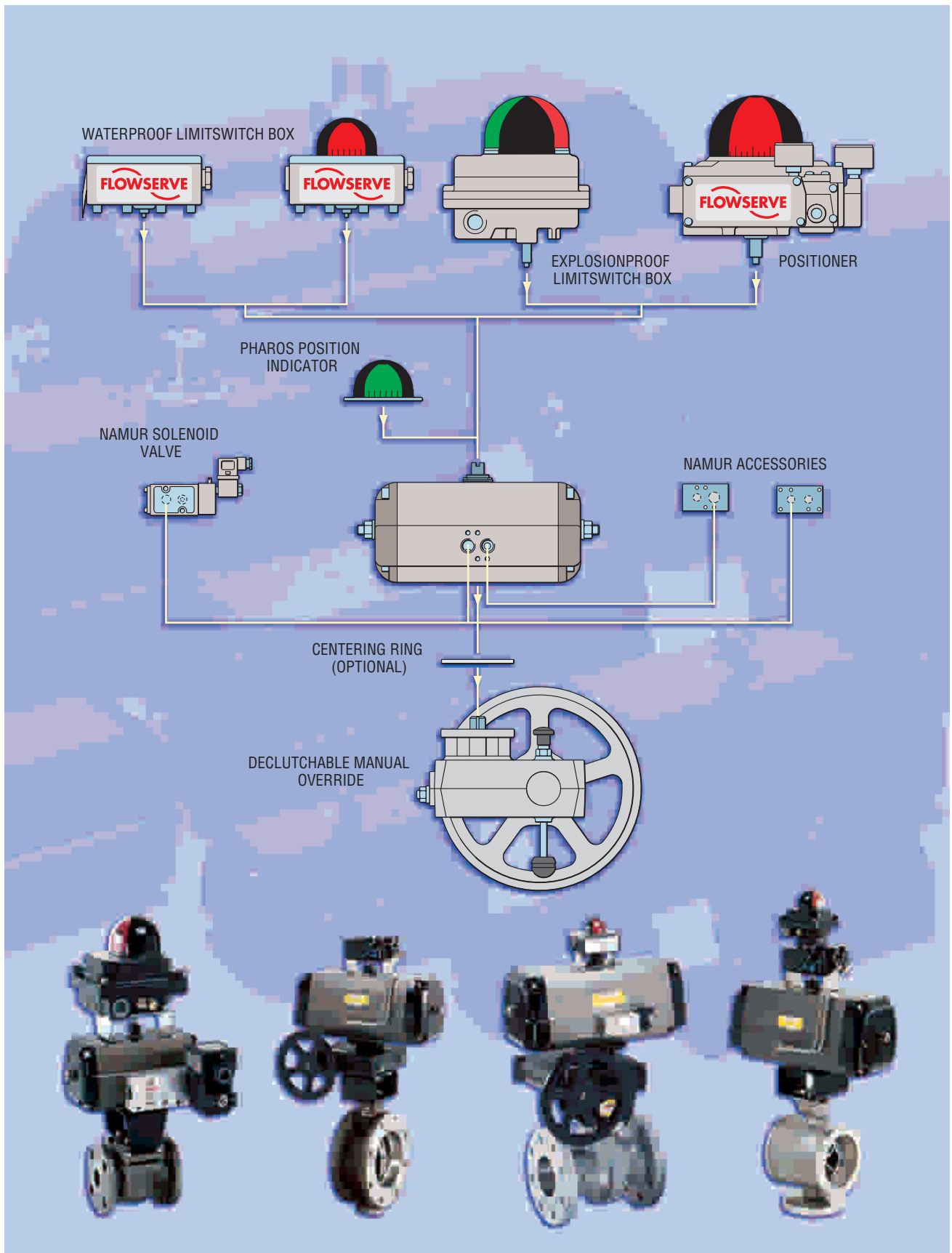


Stop Bolt Adjustment Left End Cap AIR PORTS Stop Bolt Adjustment Right End Cap

Actuator Type	Fail Position	Clockwise (CW) CLOSED	Counterclockwise (CCW) OPEN
Double Acting		Left end cap stop bolt	Right end cap stop bolt
Spring Return	(CW)	Left end cap stop bolt	Right end cap stop bolt
Spring Return	(CCW)	Right end cap stop bolt	Left end cap stop bolt

Please consult I.O.M. for more information

Complete Valve Automation Systems



Other Flowserve Flow Control Products

Flowserve Flow Control also produce a range of other products suitable for the process industry including control valves, lined equipment, switch boxes and positioners.

For more information relating to these products please contact your local Flowserve company.

Automax Main Operations

Italy

Flowserve Spa
Via Prealpi, 30
20032 Cormano
(Milano)
Tel: +39 (0)2 663251
Fax: +39 (0)2 6151863

Netherlands

Flowserve Flow Control B.V.
Rechtzaad 17
4703 RC Roosendaal
Tel: +31 (0)165 598800
Fax: +31 (0)165 555670

United Kingdom

Flowserve Flow Control (UK) Ltd.
Burrell Road
Haywards Heath
West Sussex RH16 1TL
Tel: +44 (0)1444 314400
Fax: +44 (0)1444 314401

Germany

Flowserve Limburg
Im Großen Rohr 2
D-65549 Limburg/Lahn
Tel: +49 (0)6431 9661 0
Fax: +49 (0)6431 9661 30

USA

Flowserve Springville Operation
1350 Mountain Springs Parkway
Springville, Utah 84663-0903
Tel: +1 (0)801 489 8611
Fax: +1 (0)801 489 2682

Local Automax Offices

Flowserve Australia

8 Binney Road
Marayong
NSW 2148
Australia
Tel: +61 (0)2 882 27100
Fax: +61 (0)2 666 5210

Flowserve Austria

Kasernengasse 6
9500 Villach
Austria
Tel: +43 (0)424241 181-0
Fax: +43 (0)424241 181 50/51

Flowserve France

10 Avenue du Centaure
BP 8263 Cergy
95801 Cergy Pontoise Cedex
France
Tel: +33 (0)4 73 80 95 66
Fax: +33 (0)4 73 80 14 24

Flowserve Germany

P+W GmbH
Herrenpfad Sud 20
D-41334 Nettetal
Germany
Tel: +49 (0)2157 81 7612
Fax: +49 (0)2157 81 7628

Flowserve Middle East

c/o Saleh & Abdulaziz Abahsain
P.O. Box 209
Al Khobar 31952
Saudi Arabia
Tel: +966 (0)3 857 3442
Fax: +966 (0)3 859 5284

Flowserve Portugal

Av. Dr. Antunes Guimaraes,
1159 Porto 4100-082
Portugal
Tel: +351 (0)22 619 8770
Fax: +351 (0)22 610 7575

Flowserve Scandinavia

SE-581 87 Linköping
Gelbgjutaregatan 2
Sweden
Tel: +46 (0)13 316100
Fax: +46 (0)13 136054

Flowserve South Africa

Unit 1, 12 Director Road
Spartan Ext. 2
Kempton Park
Gauteng, South Africa
Tel: +27 (0)11 397 3150
Fax: +27 (0)11 397 5300

Flowserve Spain

Luis Cabrera, 86-88
E-28002 Madrid
Spain
Tel: +34 (0)915 152 032
Fax: +34 (0)914 136 747

Fabromatic BV.

Wetering 2
3451 BM
Vleuten, Netherlands
Tel: +31 (0)30 6771946
Fax: +31 (0)30 6772471



For further information about Flowserve visit our website:

www.flowserve.com

Flow Control Division